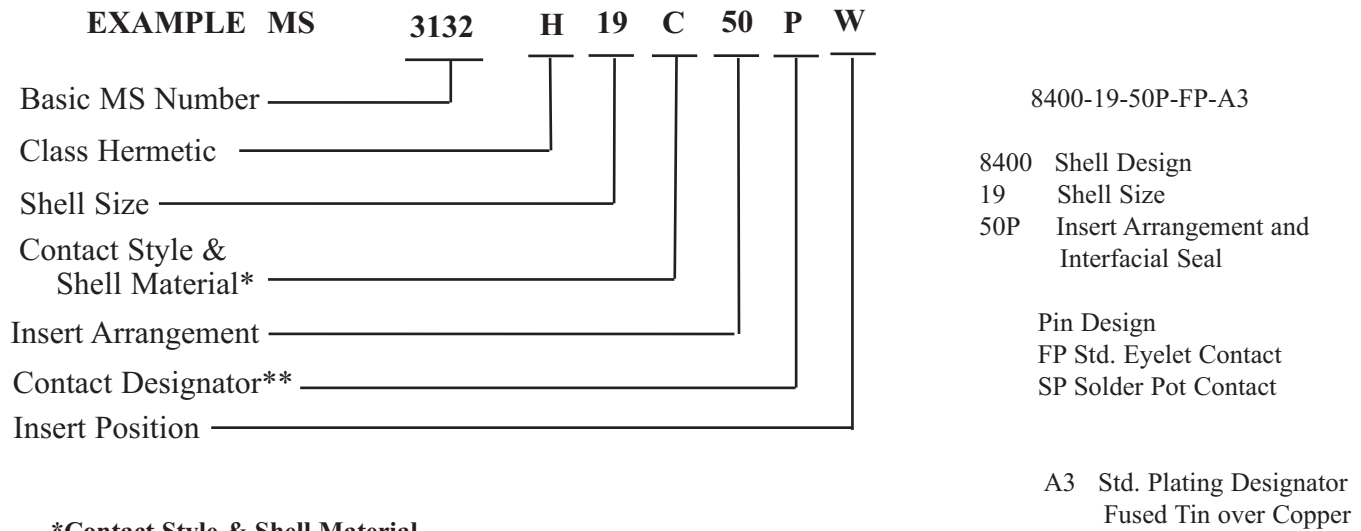


These Receptacles are designed for quick connect and disconnect with a straight push/pull means of coupling. The 8400 Series is well suited where bayonet or threaded coupling is impractical due to limited space.

HOW-TO-ORDER



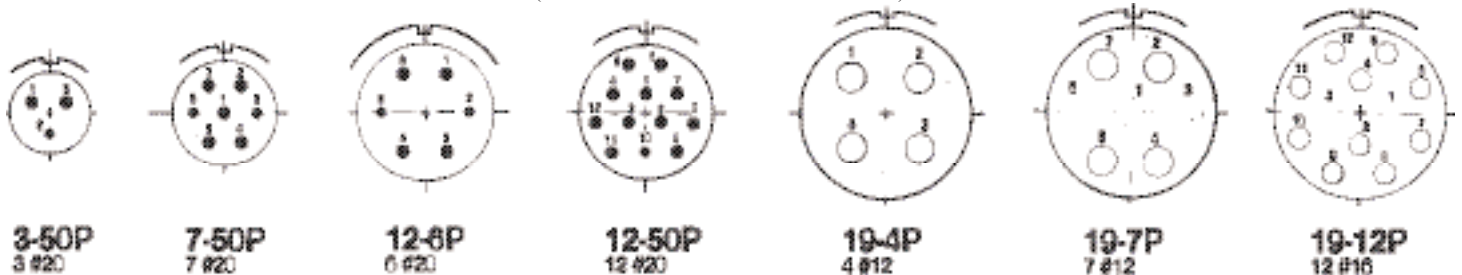
- *Contact Style & Shell Material**
A = Solder Pot Termination- C.R.E.S. Shell
B = Eyelet Termination- C.R.E.S. Shell
C = Solder Pot Termination- Ferrous Alloy shell
Y = Eyelet Termination- Ferrous Alloy shell

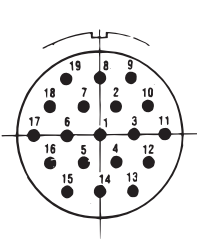
- **Contact Designator**
P = Pin Contact
Y = Tough-Bulkhead Contact

Standard Plating is fused Tin over Copper
 For other plating, contact factory.

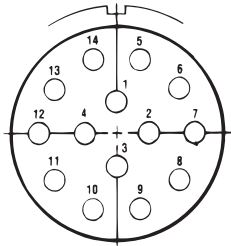
PIN ARRANGEMENTS

(ENGAGING FACE OF PIN INSERT SHOWN)

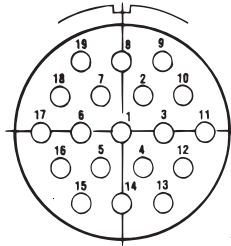




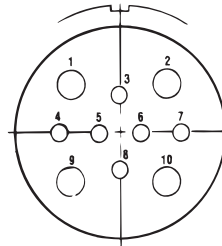
19-50P
19 #20



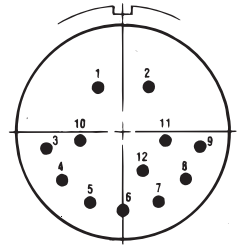
27-2P
14 #16



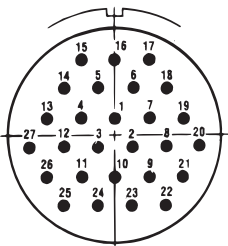
27-5P
19 #16



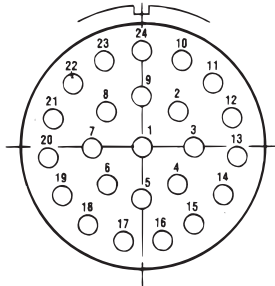
27-8P
6 #16
4 #12



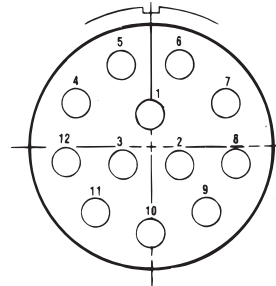
27-11P
12 #20



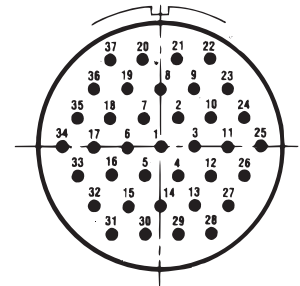
27-50P
27 #20



37-2P
24 #16

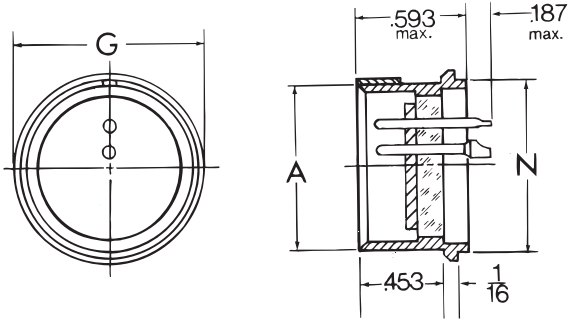


37-3P
12 #12



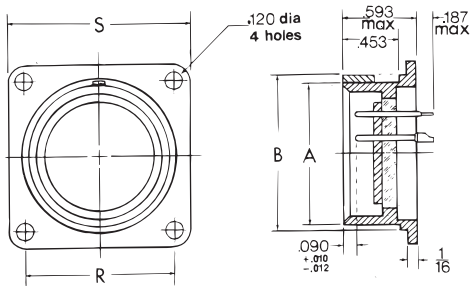
37-50P
37 #20

8402 SERIES MS3134



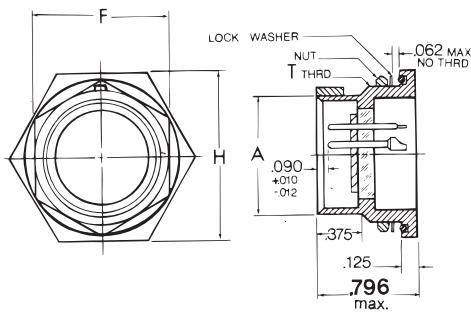
Shell Size	A ± .004	G ± .010	S + .000 - .004
3	.435	.593	.500
7	.570	.750	.625
12	.705	.875	.750
19	.844	1.000	.875
27	1.000	1.187	1.062
37	1.120	1.281	1.156

8403 SERIES MS3132



Shell Size	A ± .004	B ± .010	R ± .005	S ± .015
3	.435	.531	.625	.875
7	.570	.672	.719	1.000
12	.705	.812	.812	1.093
19	.844	.937	.906	1.187
27	1.000	1.125	.968	1.281
37	1.120	1.218	1.187	1.437

8405 SERIES



Shell Size	F ± .010	A ± .004	H ± .010	T Thread UNEF 2A
3	.625	.435	.875	.563-24
7	.812	.570	1.000	.688-24
12	.937	.705	1.125	.813-20
19	1.062	.844	1.132	1.000-20
27	1.250	1.000	1.437	1.125-18
37	1.375	1.120	1.562	1.250-18