



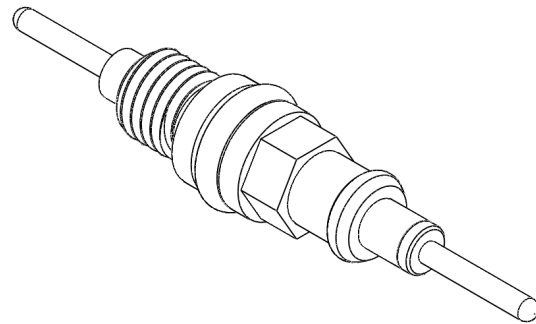
**HERMETIC  
SEAL™**

*A leading provider of interconnect  
solutions for harsh environments since  
1945*

## High Temperature High Pressure Feed Thru's

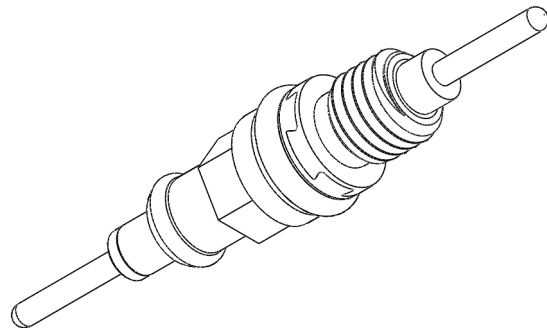
**Part Number: CP152100-CC62-1**

All PEEK (Polyetheretherketone)  
Construction.  
20,000 PSI at 150° C  
.250-28UNF-2A Thread  
.250 Hex



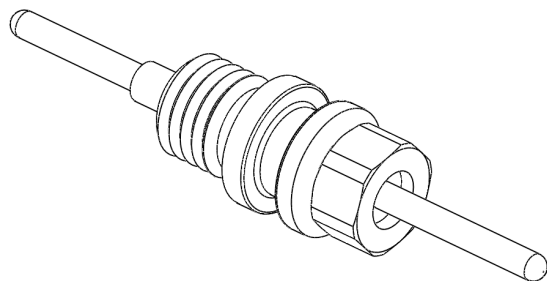
**Part Number: CP152100-CC62-2**

All PEEK (Polyetheretherketone) body  
reinforced with Inconel 718 thread  
section  
25,000 PSI at 200° C  
.250-28UNF-2A Thread  
.250 Hex



**Part Number: X152044-CC62**

Glass-to-Metal-Seal construction with  
Inconel X-750 housing and pin  
30,000 PSI at 250° C  
.250-28UNF-2A Thread  
.250 Hex



All PEEK, Reinforced PEEK or Glass-to-Metal-Sealed.  
Designed to meet the most demanding  
conditions in oil and gas exploration and production.  
Available from the industry leader in harsh  
environment interconnect products -  
**Hermetic Seal Corporation**

# Hermetic Seal Corporation

## Capabilities

- ▶ Design expertise and modeling capabilities
  - ▶ Mechanical and electrical.
- ▶ Experienced design and process engineers
- ▶ Responsive Sales and Customer Service representatives
- ▶ High temperature brazing and glass-sealing furnaces
  - ▶ High volume continuous belt furnaces
  - ▶ Low volume batch furnaces
  - ▶ Low temperature braze integration furnace
- ▶ Chemical cleaning facility
- ▶ On-site plating shop
- ▶ Inspection and testing facilities
- ▶ Pressure at temperature to 35,000 PSI @ 500°F (260°C)
- ▶ Quality system registered to ISO 9001:2008 and AS9100B
- ▶ 37,000 sq ft facility.
- ▶ Adjacent machining and component manufacturing facility (90,000 sq ft)
  - ▶ In-house machining of connector shells, bodies for headers & bulkheads and PEEK inserts
  - ▶ In-house glass preform manufacturing



**4232 Temple City Blvd**  
**Rosemead, CA 91770 USA**  
**Ph (626) 443-8931**  
**Fx (626) 443-6610**  
**[www.hermeticseal.com](http://www.hermeticseal.com)**

**HCC Interconnect Technologies**  
4232 Temple City Blvd  
Rosemead, CA  
Ph (626) 443-8933  
**[www.hccindustries.com](http://www.hccindustries.com)**

**Ametek HCC Industries**  
c/o 2 New Star Road  
Leicester, LE4 9JQ, UK  
Ph +44 (0) 116 246 3046

**AMETEK®**  
**HCC INDUSTRIES**