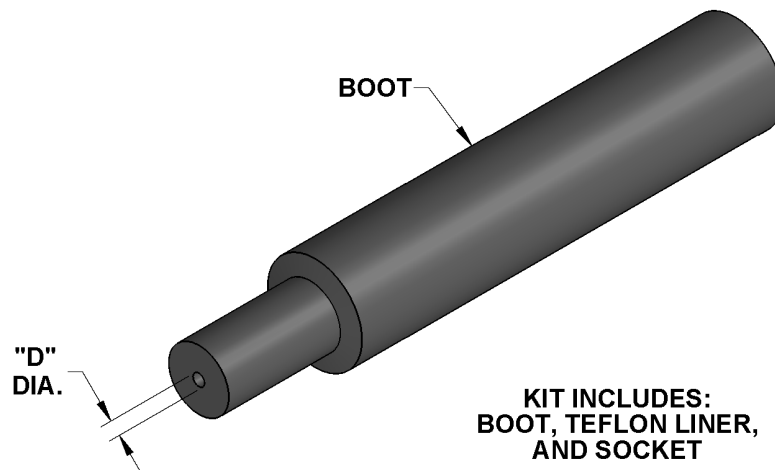




**HERMETIC
SEAL™**

*A leading provider of interconnect
solutions for harsh environments since
1945*

Boots and Accessories for GTMS and PEEK Single Pin Feed Thru's



PART NUMBER	SOCKET SIZE	"D" DIA.	ID
SC152100A-062-KIT1	16	.041	ORANGE DOT
SC152100A-062-KIT2	16	.052	BROWN DOT
SC152100A-062-KIT3	16	.074	GREEN DOT

Viton Rubber Boot, Insulating Liner and Socket Contact to connect to HTHP Glass-to-Metal-Sealed and PEEK Single Pin Feed Thru's

Designed to meet the most demanding conditions in oil and gas exploration and production. Available from the industry leader in harsh environment interconnect products -

Hermetic Seal Corporation

Hermetic Seal Corporation

Capabilities

- ▶ Design expertise and modeling capabilities
 - ▶ Mechanical and electrical.
- ▶ Experienced design and process engineers
- ▶ Responsive Sales and Customer Service representatives
- ▶ High temperature brazing and glass-sealing furnaces
 - ▶ High volume continuous belt furnaces
 - ▶ Low volume batch furnaces
 - ▶ Low temperature braze integration furnace
- ▶ Chemical cleaning facility
- ▶ On-site plating shop
- ▶ Inspection and testing facilities
- ▶ Pressure at temperature to 35,000 PSI @ 500°F (260°C)
- ▶ Quality system registered to ISO 9001:2008 and AS9100B
- ▶ 37,000 sq ft facility.
- ▶ Adjacent HCC Interconnect Technologies machining and component manufacturing facility (90,000 sq ft)
 - ▶ In-house machining of connector shells, bodies for headers & bulkheads and PEEK inserts
 - ▶ In-house glass preform manufacturing



4232 Temple City Blvd
Rosemead, CA 91770 USA
Ph (626) 443-8931
Fx (626) 443-6610
www.hermeticseal.com

HCC Interconnect Technologies
4232 Temple City Blvd
Rosemead, CA
Ph (626) 443-8933
www.hccindustries.com

Ametek HCC Industries
c/o 2 New Star Road
Leicester, LE4 9JQ, UK
Ph +44 (0) 116 246 3046

AMETEK®
HCC INDUSTRIES