

Oil & Gas



**HERMETIC
SEAL™**

AMETEK®
INTERCONNECT TECHNOLOGIES

*A leading provider of interconnect
solutions for harsh environments since 1945*

Rugged HPHT Bulkhead Series: CPX622

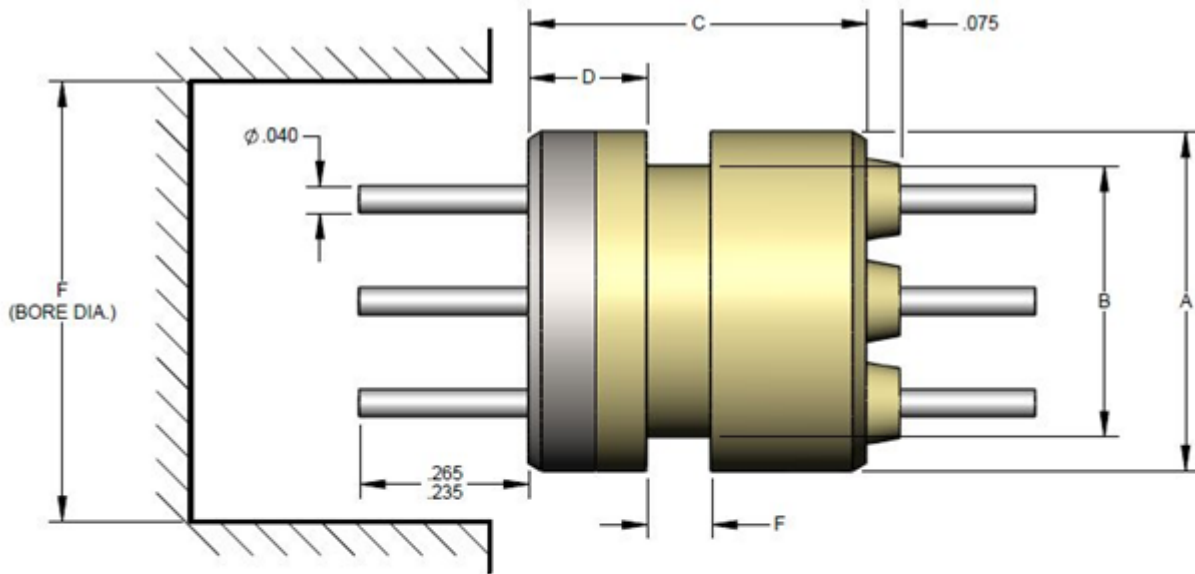


General Description and Advantages

- Ultra High Pressure rating of 35,000 psi
- Ultra High Temperature rating of 400 F
- Robust - Withstand severe handling in the field
- Industry standard pin patterns
- Single O-ring with Back-up ring design

Rugged HPHT Bulkhead

Series: CPX622



Dimensional Details -

Bulkheads with $\varnothing.040$ straight pins (For $\varnothing.062$ pins, contact factory)

PARKER NO. RING SIZE	PIN PATTERN AVAILABLE	A $\pm.001$	B $\pm.001$	C $\pm.001$	D $\pm.001$	E RECOMMENDED BORE DIA.	F $+.003$ $-.002$
2-016	5	0.750	0.650	1.000	0.455	.752 - .754	0.095
2-020	10	1.000	0.900	1.250	0.544	1.002 - 1.004	0.095
2-121	15	1.250	1.088	1.250	0.650	1.252 - 1.254	0.142
2-125	20	1.500	1.338	1.750	0.650	1.502 - 1.504	0.142

Materials

- Body: Inconel X-750 per AMS 5667
Inconel 718 per AMS 5662
- Pins: Inconel X-750 per AMS 5667
Kovar per Mil-I-23011, Class 1
- Glass: HSC proprietary formula
- Insulator: PEEK (Polyetheretherketone)

Finishes

- Flange: Optional
- Pins: Gold per MIL-G-45204 type II
Over Nickel per QQ-N-290 Class 2

Product Specifications

- Pressure rating: 35,000 psi
- Temperature rating: 400 F
- Insulation resistance: 500 MegOhms @ 500 VDC
- Dielectric withstanding: 750 VAC/1250 VDC
- Hermeticity rating: 1×10^{-8} cc He/sec @ 1 atmosphere



Hermetic Seal Corporation
4232 Temple City Blvd
Rosemead, CA 91770 USA

Ph (626) 443-8931
Fx (626) 443-6610
www.hermeticseal.com

