



**AEGIS™**

[www.ametek-ecp.com](http://www.ametek-ecp.com)

**AMETEK®**  
ENGINEERED INTERCONNECT  
AND PACKAGING

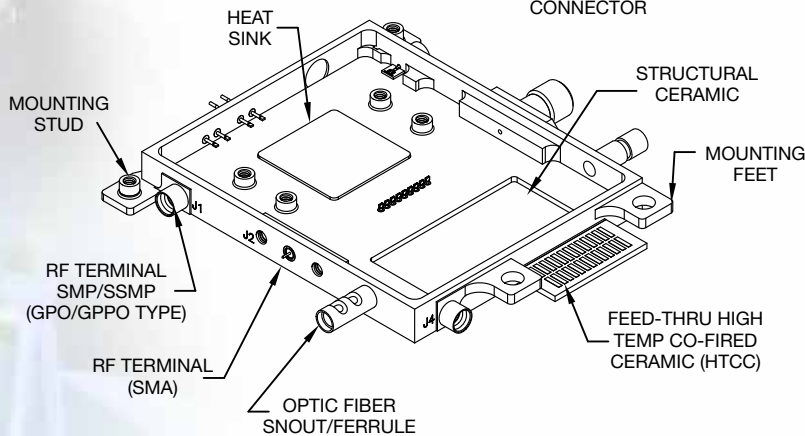
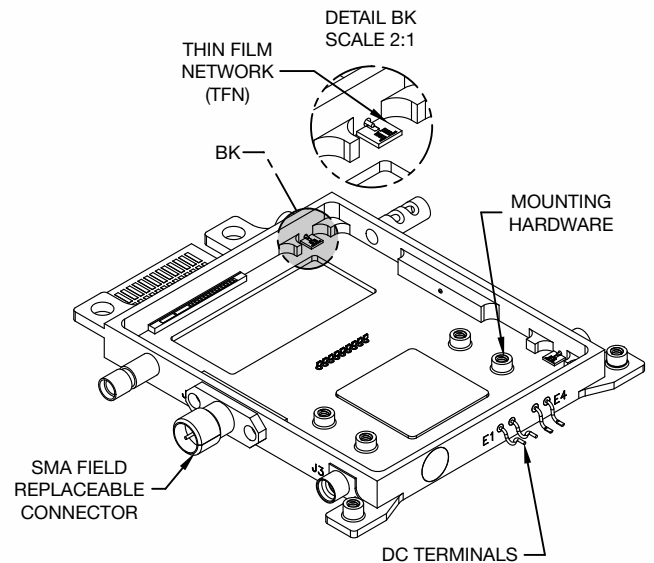
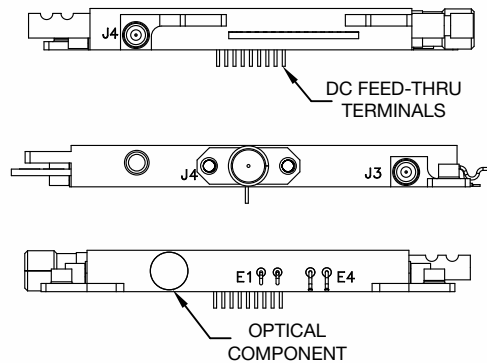
# Machined Electro-Optical and Micro-Electronic Packages

Aegis has the capability and the experience to partner with you in designing and manufacturing the most complex and advanced electro-optical and micro-electronic packages for optical networks and defense products.

Product features include:

- ▲ A selection of housing materials to suit your application
- ▲ Brazed or integral optical fiber snout/ferrule
- ▲ Thermal management bases and inserts
- ▲ Structural ceramic inserts
- ▲ Thin Film Networks
- ▲ Glass or ceramic interconnections
  - ✓ DC feed thru terminals
  - ✓ RF terminals (SMA, SMP, SSMP)
  - ✓ Field replaceable SMA connectors
  - ✓ High Temperature Co-fired Ceramic (HTCC) feed thrus
- ▲ Integral mounting feet
- ▲ Brazed mounting studs and hardware

## MACHINED HOUSING



## Other Products from Aegis

- ▲ **Flatpacks (butterfly packages)**
  - ✓ Single piece (bathtub) and multi-piece housings
- ▲ **Plug-ins**
  - ✓ Single piece (bathtub) and multi-piece housings
- ▲ **Plug-in flats (platforms)**
- ▲ **Machined housings in Kovar, stainless and other materials**
- ▲ **Complex integrated packages with ceramic feedthrus and terminals, RF and DC terminals, connectors, and optical fiber tubes**
- ▲ **Thermal management solutions**
  - ✓ Mo
  - ✓ CuW
  - ✓ CuMo
- ▲ **Lids and covers**

## Capabilities

- ▲ **Machining, forming and stamping**
- ▲ **High temperature brazing**
- ▲ **High temperature glass-to-metal-sealing**
- ▲ **Low temperature brazing and secondary component installation**
- ▲ **Plating**
  - ✓ In-house capabilities – Gold and Nickel
  - ✓ Also available – Tin and Copper
- ▲ **Testing**
  - ✓ Leak (hermeticity)
  - ✓ Electrical
  - ✓ Dimensional (CMM)
  - ✓ Plating adhesion
  - ✓ Environmental testing per Mil-STD-883 Table IV

### **About AMETEK ENGINEERED INTERCONNECT AND PACKAGING - Aegis**

Sealing glass to metal for over 30 years, Aegis has made its name sealing the most demanding configurations of microelectronic packages in use today. As a business unit of AMETEK ENGINEERED INTERCONNECT AND PACKAGING, Aegis manufactures a full range of industry standard and complex custom packages in both glass and ceramic configurations, to your drawings and technical requirements.

#### **Check-out the Aegis advantage:**

- ✓ *Scale – we can handle any sized job*
- ✓ *Technology – an unbeatable combination of engineering expertise and experience*
- ✓ *Customer Service – real-time product and order status at the customer service desk*
- ✓ *Quality – designed in and thoroughly tested*
- ✓ *Supply Chain Management – skills essential to the successful execution of the most complex projects*

## **AMETEK®** ENGINEERED INTERCONNECT AND PACKAGING

Aegis  
50 Welby Road • New Bedford, MA 02745 • USA  
TEL: 508-998-3141 • FAX: 508-995-7315  
[www.ametek-ecp.com](http://www.ametek-ecp.com)

#### **Contact in Europe:**

AMETEK ENGINEERED INTERCONNECT AND PACKAGING  
c/o 2 New Star Road • Leicester, LE4 9JQ • UK  
TEL: +44 (0) 116 246 3046  
[www.ametek-ecp.com](http://www.ametek-ecp.com)