

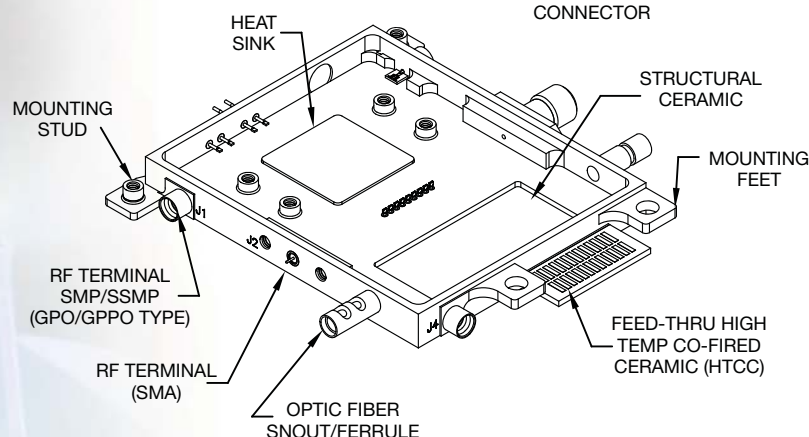
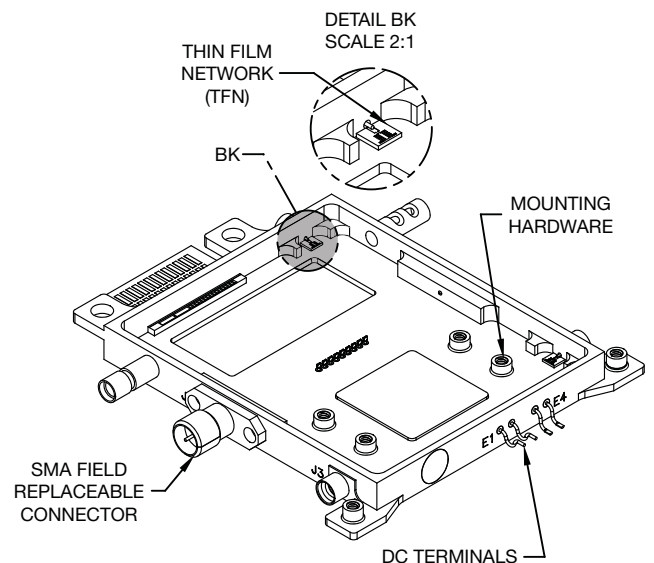
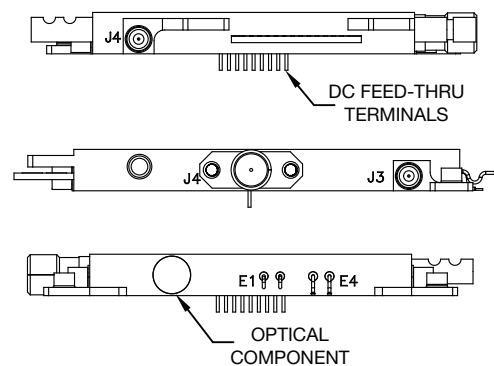
Machined Electro-Optical and Micro-Electronic Packages

Glasseal Products (GSP) has the capability and the experience to partner with you in designing and manufacturing the most complex and advanced electro-optical and micro-electronic packages for optical networks and defense products.

Product features include:

- ▲ A selection of housing materials to suit your application
- ▲ Brazed or integral optical fiber snout/ferrule
- ▲ Thermal management bases and inserts
- ▲ Structural ceramic inserts
- ▲ Thin Film Networks
- ▲ Glass or ceramic interconnections
 - ✓ DC feed thru terminals
 - ✓ RF terminals (SMA, SMP, SSMP)
 - ✓ Field replaceable SMA connectors
 - ✓ High Temperature Co-fired Ceramic (HTCC) feed thrus
- ▲ Integral mounting feet
- ▲ Brazed mounting studs and hardware

MACHINED HOUSING



About Glasseal Products

Sealing glass to metal for over 50 years, Glasseal Products, Inc (GSP) is one of the most versatile manufacturers of hermetically sealed interconnection and microelectronic packaging components in business today. As a business unit of AMETEK HCC Industries, GSP has a broad portfolio of connectors, headers, feed thru's, end seals and packages in both glass and ceramic configurations. We manufacture both standard MIL Spec products and customized designs to your drawings and technical requirements.



HCC INDUSTRIES

Glasseal Products, Inc.
485 Oberlin Avenue • Lakewood, NJ 08701 • USA
TEL: 732-370-9100 • FAX: 732-370-7107
www.hccindustries.com

and in Europe:

HCC Industries International
49-53 Hazelwood Road • Northampton, NN1 1LG • UK
TEL: +44 (0) 1604 233101 • FAX: +44 (0) 1604 232907
www.hccindustries.com

and in Asia:

AMETEK Shanghai (SPL)
Room 912 • Metro Tower • NO 30 • Tian Yao Qiao Road
Shanghai • China 200020
TEL: + (86) 21 6426 8111 x36 • FAX: + (86) 21 6426 7818
www.hccindustries.com